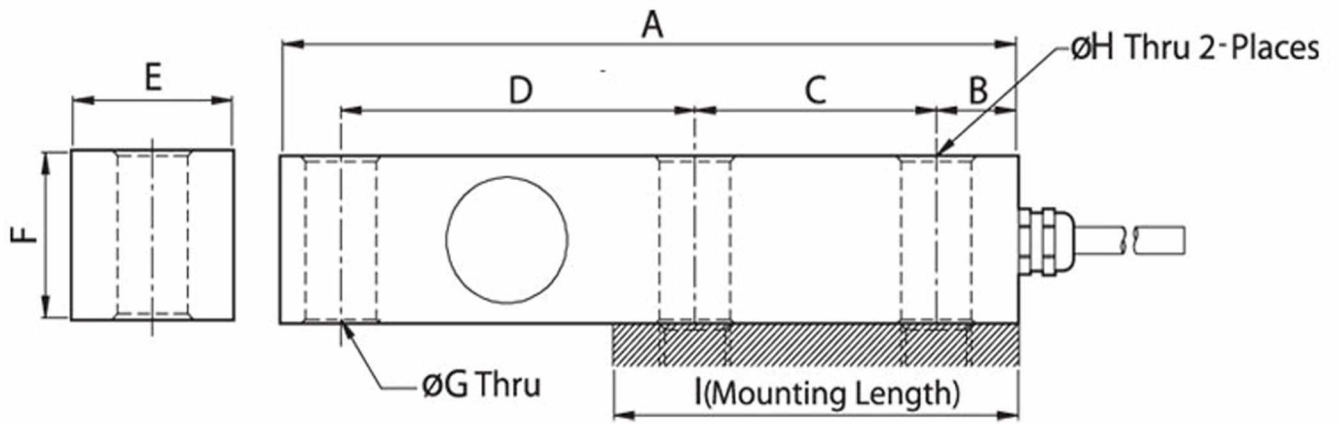


Unit: mm

► Load Cell(250kgf~5tf)



Capa.	A	B	C	D	E	F	G	H	I
250kgf	145.0	20.0	40.0	72.0	30.0	34.0	16.0	14.5	80.0
500kgf									
1tf									
2tf	205.0	25.0	55.0	105.0	38.0	48.0	20.5	20.5	105.0
5tf									

Unit: mm

► Load Cell(10tf)

