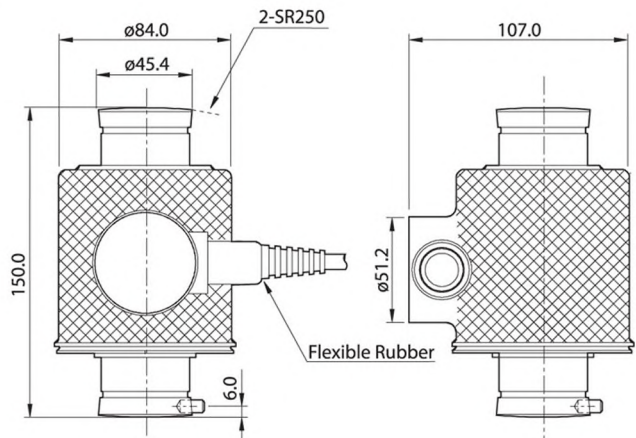
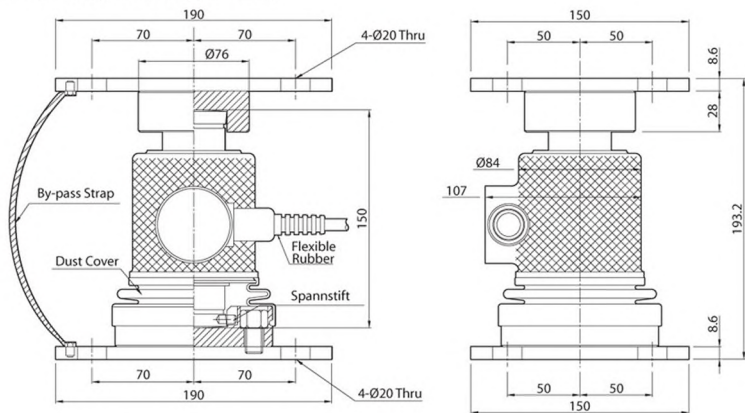


▶ Road Cell(10~30tf)

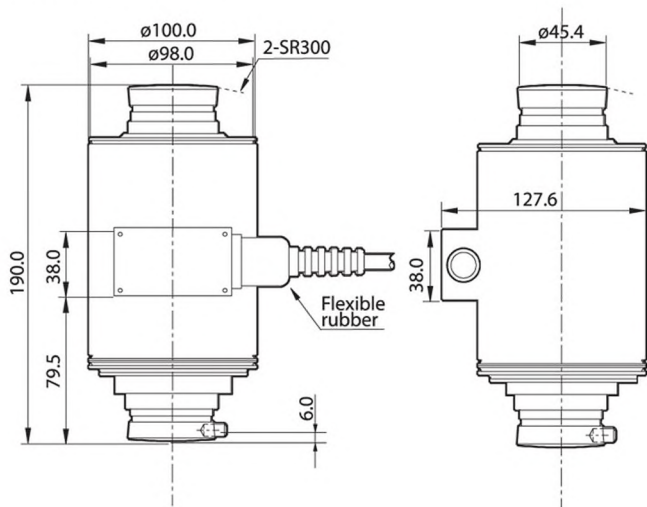


Unit: mm

▶ Accessory Assembly(10~30tf)



▶ Road Cell(50~100tf)



▶ Accessory Assembly(50~100tf)

